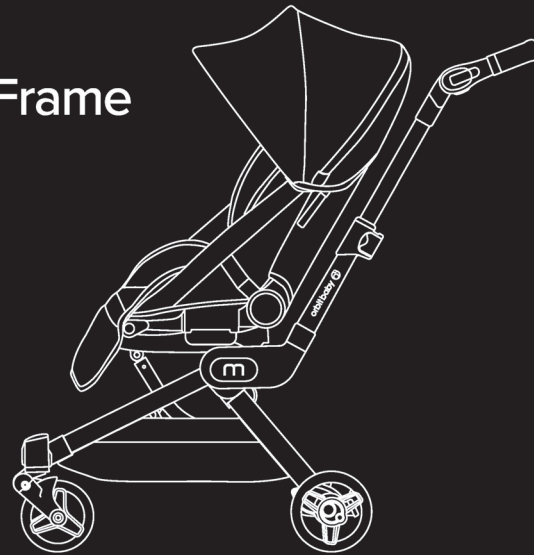


 orbit baby®

m<sup>+</sup> Stroller Seat & Stroller Frame





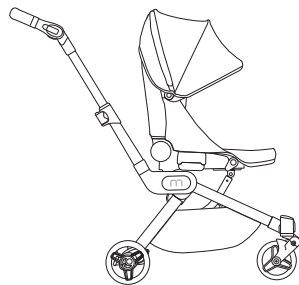
 **M+ STROLLER  
PRODUCT GUIDE**



 **SCAN TO  
REGISTER**

### Register Your Stroller

To register your product, please complete and mail in the registration card or visit [www.orbitbaby.com/pages/register](http://www.orbitbaby.com/pages/register)



**Orbit Global, Inc.**

**P.O. Box 699,**






**Ventura CA 93002, US**

**888-475-4056**

**[hello@orbitbaby.com](mailto:hello@orbitbaby.com)**

## INDEX

EN

	<b>Warnings</b>	<b>04</b>
	<b>Getting started</b>	<b>16</b>
	<b>Using your stroller</b>	<b>21</b>
	<b>Traveling &amp; Storage</b>	<b>39</b>
	<b>Maintenance &amp; Cleaning</b>	<b>41</b>

## **! WARNING**

### **FAILURE TO FOLLOW THESE WARNINGS AND THE INSTRUCTIONS COULD RESULT IN SERIOUS INJURY OR DEATH**

- NEVER leave your child unattended.
- Do not let others use the Orbit Baby Stroller or other connected Orbit Baby products unless they understand how to use them properly.
- Do not use the stroller if any part is damaged, broken, torn or missing. Use only replacement parts supplied and approved by the manufacturer. If the instruction manual is missing or you need replacement parts or assistance, see the contact information included with this product.

### **PREVENT SERIOUS INJURY OR DEATH**

- Always provide the supervision necessary for the continued safety of your child.
- Stroller must be fully assembled and locked in position prior to use.
- NEVER use the stroller seat in motor vehicles.
- Do not use with more than one child in a seat at a time.
- Maximum child height for the M<sup>+</sup> stroller seat is 40 in (101 cm).
  - Maximum child weight in any seat on the M<sup>+</sup> Stroller Base is 22kg (48lbs).
  - Maximum child weight in the G5 Stroller Seat on the M<sup>+</sup> Stroller Base is 22kg (48lbs).
  - Maximum child weight in the G5<sup>+</sup> Infant Car Seat on the M<sup>+</sup> Stroller Base is 13 kg (28lbs).
  - Maximum child weight in the G5 Bassinet on the M<sup>+</sup> Stroller Base is 9 kg (19.8lbs).
- Use caution when pushing stroller near traffic or in highly congested areas.



## **WARNING**

Only use the stroller seat in a locked position.

When rotating the stroller seat, only use one release lever and ensure that:

- The stroller is on a flat level surface.
- The wheels are locked.
- The seat is supported the entire time.
- Seat is in the full upright position.

## **WARNING**

**PREVENT ACCIDENTAL UNDOCKING :**

- Never press both release levers to recline or rotate the stroller seat. Pressing both levers is only for unlocking the stroller seat.
- When locking the handlebar adjustment tab, never force it closed.
- NEVER leave the stroller unattended on a hill or incline, even when parking brake is locked.
- Brake must be engaged when placing or removing child from stroller seat and bassinet .
- ALWAYS use the front wheel swivel locks when pushing the stroller on uneven terrain.

## **WARNING**

**FALL HAZARD: Avoid serious injury from falls or tipover.**

- Always use the stroller seat harness to secure the child.
- The stroller seat must be securely locked into a SmartHub and locked into use position before loading child.
- Child may slip into leg openings, child must always be secured with the harness system.
- Do not carry or lift the stroller seat with child in it.
- Only use the stroller seat secured to a SmartHub. The stroller seat is not a stand-alone product. The stroller seat is not stable unless locked into a SmartHub.
- Child's movement can slide stroller seat. NEVER place stroller seat near edges of countertops, tables, or other elevated surfaces.
- DO NOT use stroller on stairs or escalators with child in it.
- DO NOT lift or carry stroller base or stroller seat by water bottle tray, support bar, canopy or snack tray.
- Do not place packages or accessory items on the stroller unless made by or specifically approved by Orbit Baby. Added parcels or accessory items can make the stroller become unstable.
- Always use the stroller seat secured to a SmartHub. The stroller seat is not a stand-alone product. The stroller seat is not stable unless locked into a SmartHub.



## **WARNING**

**FALL HAZARD: Avoid serious injury from falls or sliding out.**

- Restraint harness use is required for all use modes.
- Always secure your child to avoid serious injury from falling and sliding out. Always use the complete restraint harness.
- Never let your child climb into or out of the stroller seat unassisted.
- Always securely adjust the restraint harness around your child when in the seat.

**AVOID BURN INJURY :**

- Keep stroller, stroller seat and bassinet away from open sources of heat such as a radiator, open flame and electric heaters.

## **WARNING**

### **AVOID LOSS OF CONTROL OF THE STROLLER :**

- ALWAYS use front wheel swivel locks when pushing stroller on uneven terrain.
- Use caution when pushing stroller on uneven terrain or hills.
- ALWAYS lock the parking brake when the stroller is stopped.
- NEVER leave stroller unattended on a hill or incline, even when parking brake is locked.
- NEVER use this stroller on escalators or stairs.
- Any accessories or replacement parts which are not approved by the manufacturer shall not be used, it may cause the stroller to become unstable.
- Never run or jog with this stroller.
- This product is not suitable for running or skating.
- The stroller is suitable for children from 6 months to 4 years or up to 22 kg, whichever comes first.
- Any load attached to the handle and/or on the back of the backrest and/or on the sides of the stroller will affect the stability of the stroller.
- Do not place more than 5kg (11 lbs) in the cargo basket. Excessive weight may cause a hazardous unstable condition to exist. Do not use the cargo basket as a child or pet carrier.

# **WARNING**

## **SUFFOCATION HAZARD :**

- Stroller seat can roll over on soft surfaces and suffocate child. **NEVER** place stroller seat on beds, sofas or other soft surfaces.
- Child may slip into leg openings, child must always be secured with the harness system. **NEVER** hang, suspend or attach items from strings to the stroller frame, stroller seat or bassinet. Do not place items with strings around child's neck.

## **STRANGULATION HAZARD :**

- Children have been **STRANGLED** in loose or partially buckled harness straps. Fully restrain the child at all times. **NEVER** leave child in the stroller seat when straps are loose or undone.
- Do not place in or near this seat any cord, strap or similar item that could become wrapped around a child's neck.
- Do not place this seat near a window or a patio door where a child could reach the cord of a blind or curtain and be strangled.
- Keep hands and fingers, especially of children, clear of moving parts as you secure your child in the stroller seat.
- Ensure that all the locking devices are engaged before use.
- Do not let the child play with this product.
- Check that the pram body or seat unit or car seat attachment devices are correctly engaged before use.

## **WARNING**

### **PINCH HAZARD :**

- Stroller must be fully assembled and locked in position prior to use. Listen for an audible CLICK to confirm that it is fully deployed.
- Never pull the release levers when the stroller seat is in folded position. This may damage the stroller seat.
- Keep the SmartHub area clean. Keep all metal and plastic parts clear of objects, debris and liquids to allow proper and safe functionality. Never place the stroller seat in sand or other surfaces with fine, loose particles.
- Listen for an audible CLICK which indicates that the stroller seat is locked into the SmartHub.
- Always check that the stroller seat is securely locked into the SmartHub by tugging upwards and turning.
- Lock the stroller wheels and check stability of the stroller seat before placing your child in or removing your child from the stroller seat.
- Stroller seat rotation must always be locked in position before moving. Do not rotate the stroller seat when the stroller is in motion.
- Lock the parking brakes and check stability when the stroller is stationary.
- If you do not hear a CLICK, the seat is still in the folded position. Do not use in this position. Push backwards on the top of the seat to lock it in the upright position.



## **WARNING**

### **AVOID PINCH INJURY :**

- Keep hands and fingers, especially of children, clear of moving parts as you fold the stroller.
- Do not allow children to touch or climb on the folded stroller.
- To prevent entrapment and falls, upholstery must be properly attached.

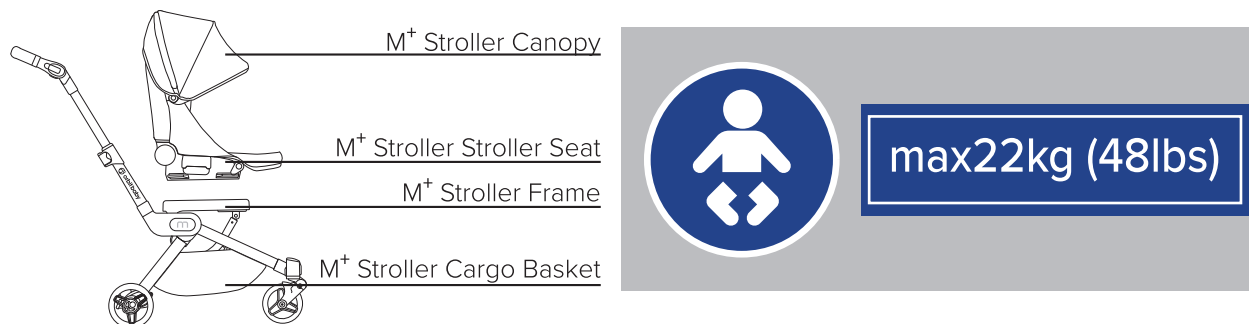
Keep fingers and other body parts clear of hinged joints when folding and unfolding stroller.

When adjusting and docking the stroller seat, always ensure all of the child's body parts are clear of moving parts and the stroller base. Keep your hands clear of moving parts when adjusting the stroller seat.

**IMPORTANT!**  
**READ CAREFULLY AND KEEP FOR FUTURE REFERENCE.**

Your child's safety may be affected if you do not follow these instructions.

This manual describes how to use the products shown below. The Orbit Baby Cargo Basket and Canopy are packaged with the Orbit Baby Stroller Seat. All other products sold separately.

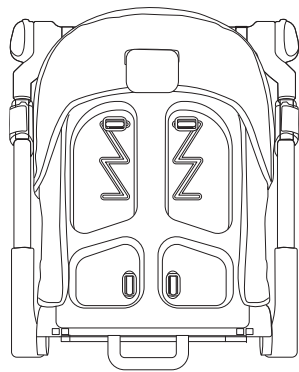


**Using this Instruction Manual :**

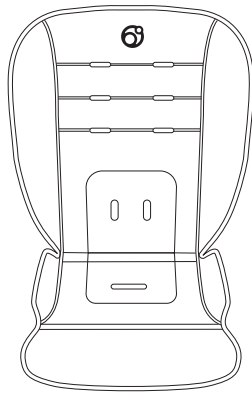
Each step is described in text and illustrations and referenced in the beginning of the instruction manual. Numbers referenced **01** in the text instructions refer to the related sections in the illustrations. Boxes referenced **□** in the text instructions refer to individual illustrations of the related sections. Letters like **A** refer to the product parts identified on the labeled illustrations.

Product illustrations may not reflect the actual appearance of the enclosed product. All product specifications subject to change.

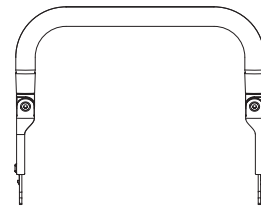
## WHAT'S INCLUDED



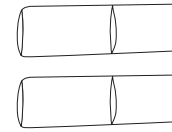
Stroller frame, seat,  
and footcover



Seat liner



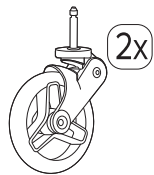
Bumper bar



Shoulder Pad



Manual



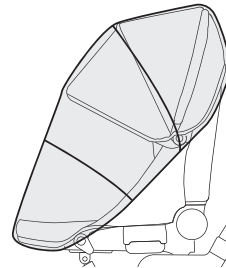
Front wheels



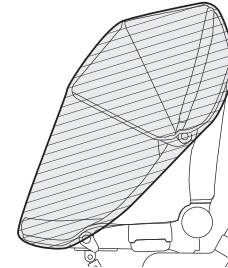
Rear wheels



Luggage wheels

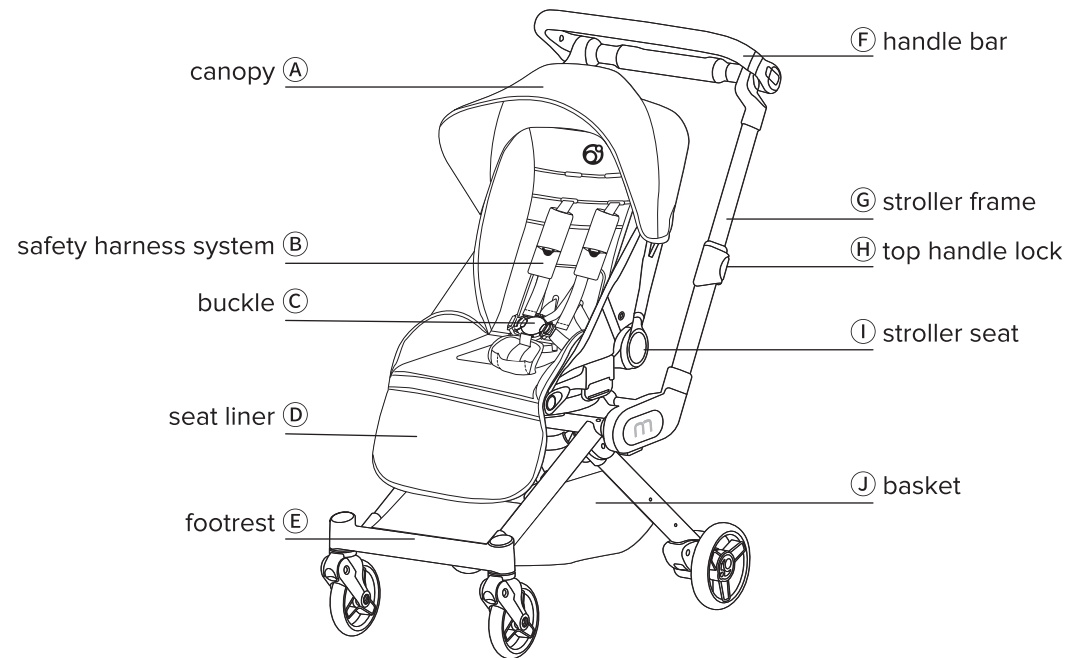


Rain cover

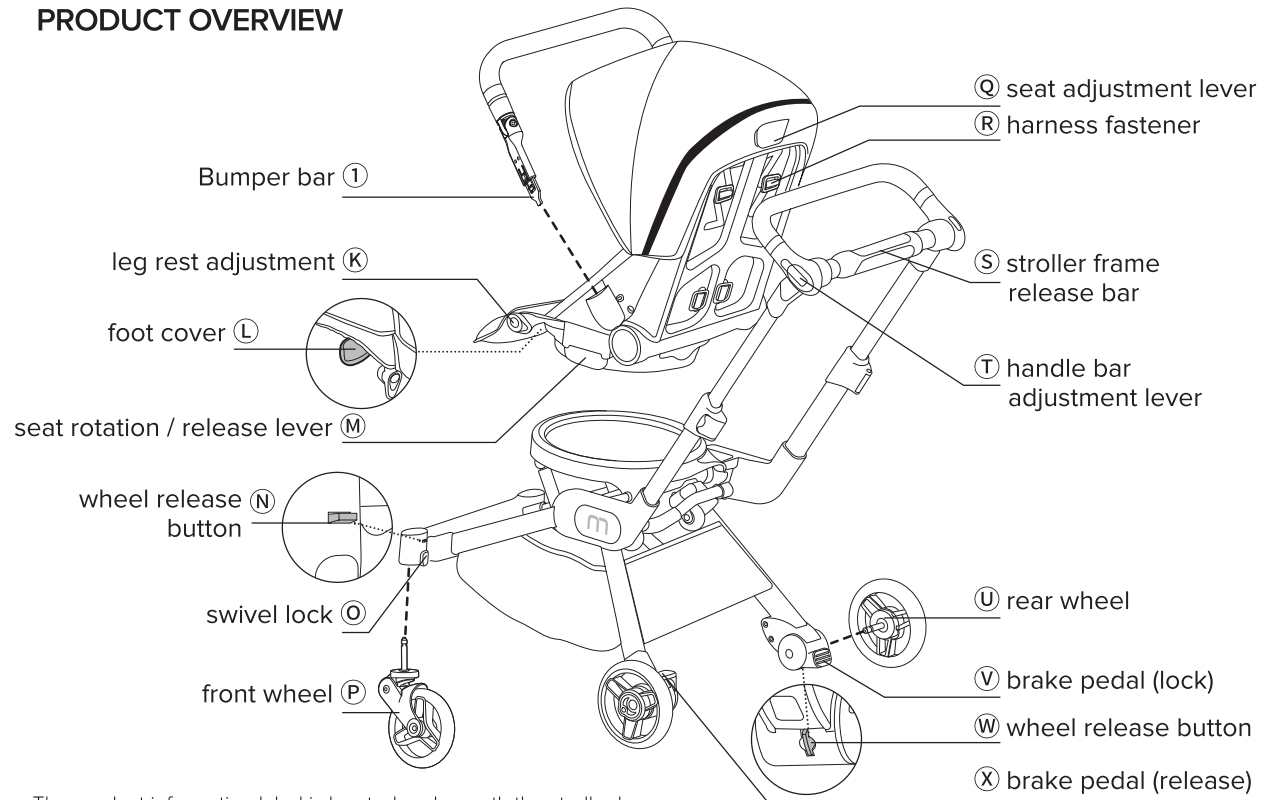


Mosquito net

## PRODUCT OVERVIEW



## PRODUCT OVERVIEW



The product information label is located underneath the stroller base.

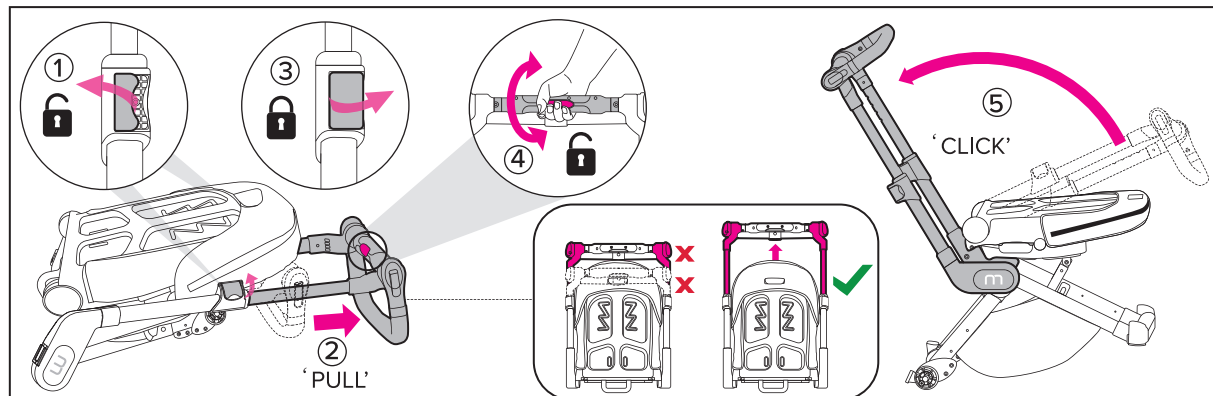
## GETTING STARTED

### 01 Unfold the stroller

- Open the top handle locks on both sides of frame.
- Slide to fully extend the frame.
- Close the top handle locks on both sides of frame. You'll hear a **CLICK** when they are locked in place.
- Twist the stroller frame release bar, holding down the release button
- While pulling up to open frame.

## **WARNING**

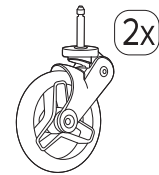
Fully extended the handlebar before opening the stroller. Forcing to open will damage the stroller.



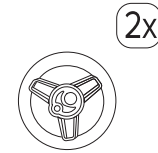
 **GETTING STARTED**

**02** Install front and back wheels

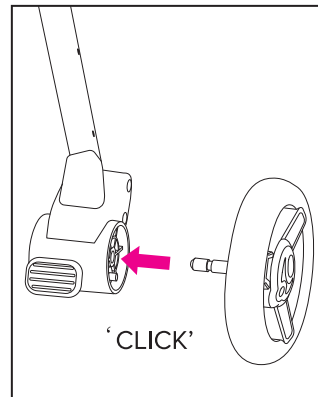
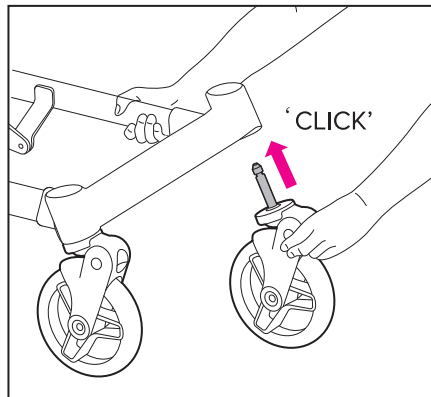
- Insert the front wheels into slots under the footrest.  
You will hear a **CLICK** when they are locked in place.
- Insert the rear wheels into slots on side of frame.  
You will hear a **CLICK** when they are locked in place.  
Pull on the wheel to assure it is securely attached.



Front wheels



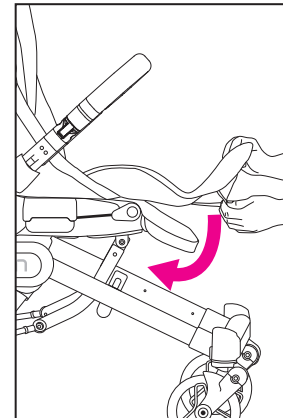
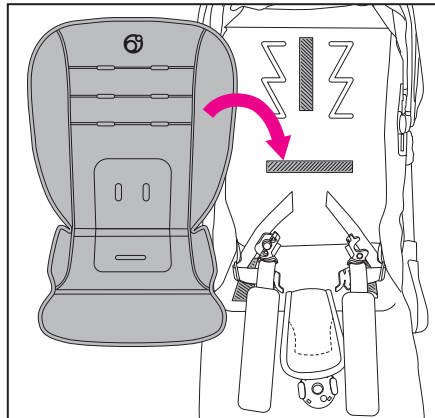
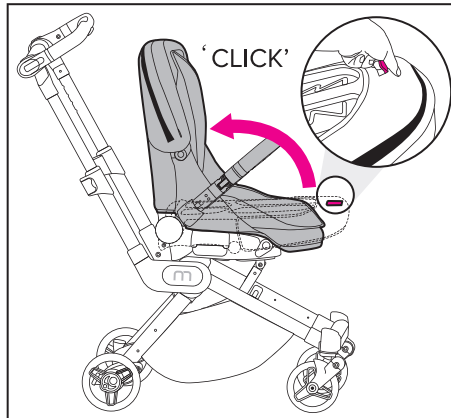
Rear wheels



 GETTING STARTED

**03** Assemble stroller seat

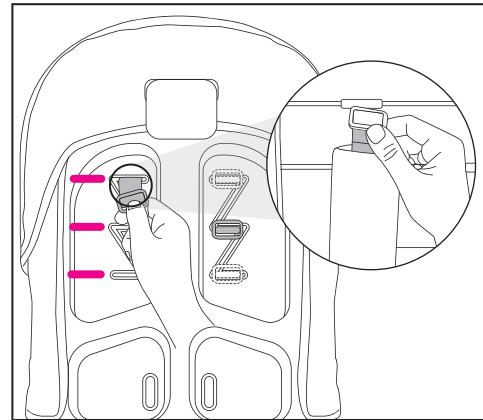
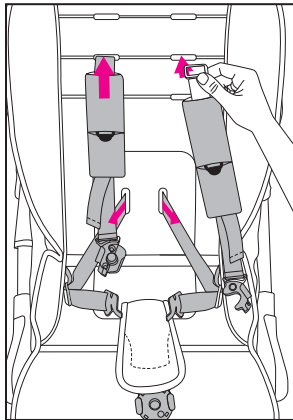
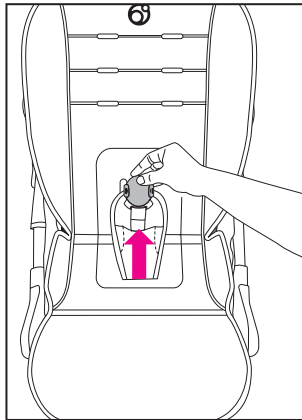
- To unfold the seat, pull the adjustment lever located at the top back of the seat.
- Place seat liner inside seat, use velcro strip to hold liner in-place.
- Insert the leg rest into the designated slot on the seat liner.



 GETTING STARTED

**03 Assemble stroller seat (cont'd)**

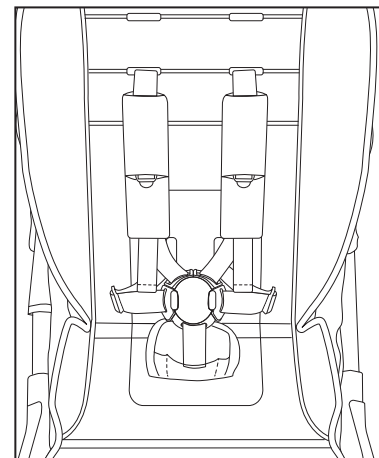
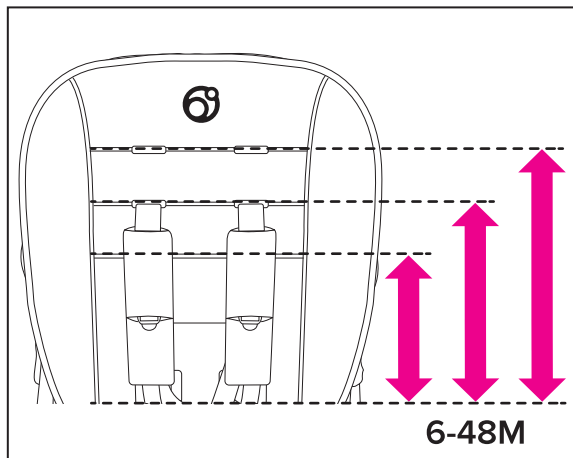
- Pull crotch buckle through crotch slot on liner.
- Pull waist straps through lower waist slots.
- Thread the shoulder straps through the appropriate slots in both the liner and seat shell. Pull on harness to assure it is attached correctly.



 **GETTING STARTED**

 **Harness fit guide**

- Choose the slot closest to the top top of your child's shoulders for optimal fit.  
Always ensure the straps are snug and secure when your child is in the stroller.
- Example of final harness assembly.



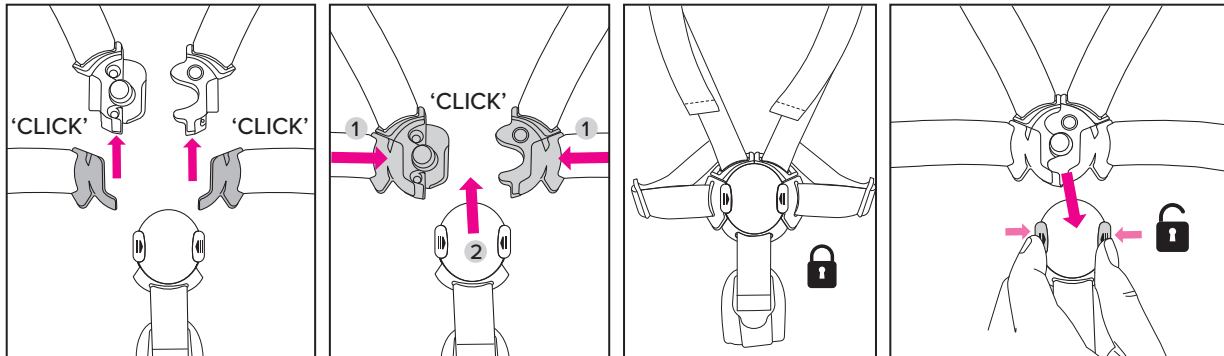
## 1 USING YOUR STROLLER

### 04 Using the safety harness system

- To secure the harness, connect the shoulder and waist clips, then insert them into the crotch buckle. Listen for a **CLICK** to confirm that they are locked in place.
- To release the harness, press the crotch buckle button. When the button is fully pressed, all harness clips will release automatically.

## ! WARNING

Never leave the harness buckled when not fitted to the child in the stroller. The harness can form loops which may cause a strangulation hazard. Use the harness at all times.



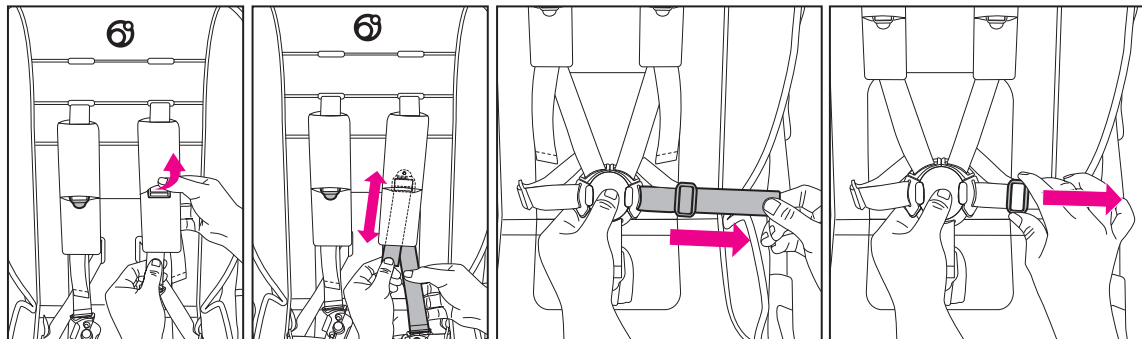
## ④ USING YOUR STROLLER

### 04 Using the safety harness system

- To loosen harness: tilt the release buckle back as shown and gently pull on the shoulder strap.
- To tighten harness: pull the adjustment strap down.
- For the waist straps: Adjust the fit by pulling the strap through the buckle clip while sliding and repositioning the buckle.

## ⚠ WARNING

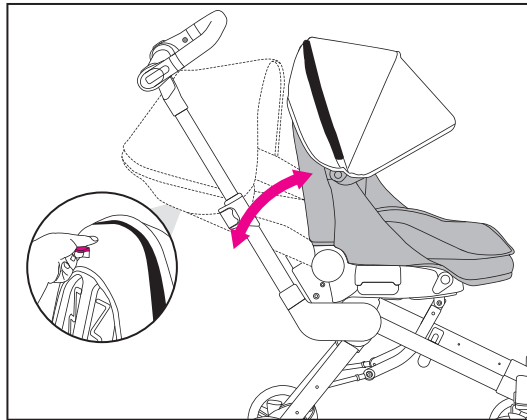
Always use the harness when your child is in the stroller. Always adjust the harness appropriately for your child's size.



## ① USING YOUR STROLLER

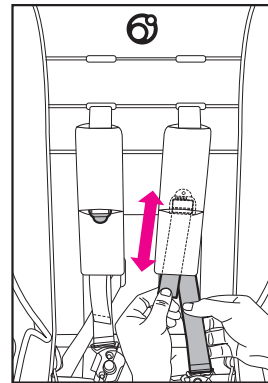
### 05 Adjust stroller seat backrest

- To adjust the seat position, lift the seat adjustment lever while moving the backrest up or down until it clicks and locks into one of the three designated positions.



## ⚠ WARNING

Use the most reclined position until your baby has developed sufficient head and neck control to sit up independently.



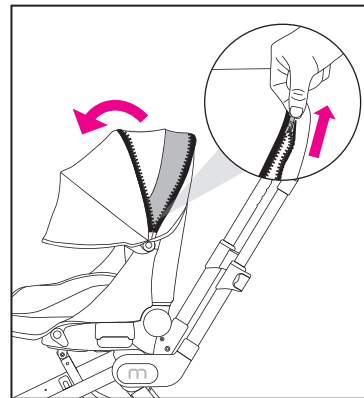
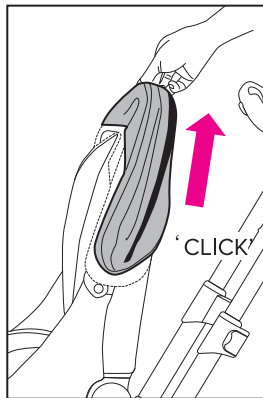
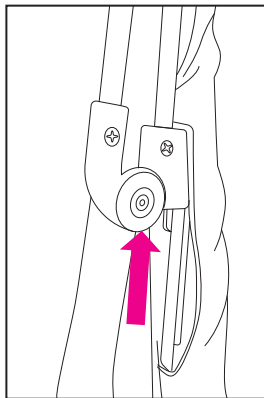
### ⓘ IMPORTANT

When reclining your child from a seated position to a lying position, loosen the shoulder straps to ensure they do not become overly tight on their shoulders.

## USING YOUR STROLLER

### **06** Use and extend your canopy

- To lock the canopy in place, slide each side up until you hear a **CLICK**.
- To extend the canopy, unzip the extension panel. Once fully unzipped, pull the canopy forward for maximum extension.



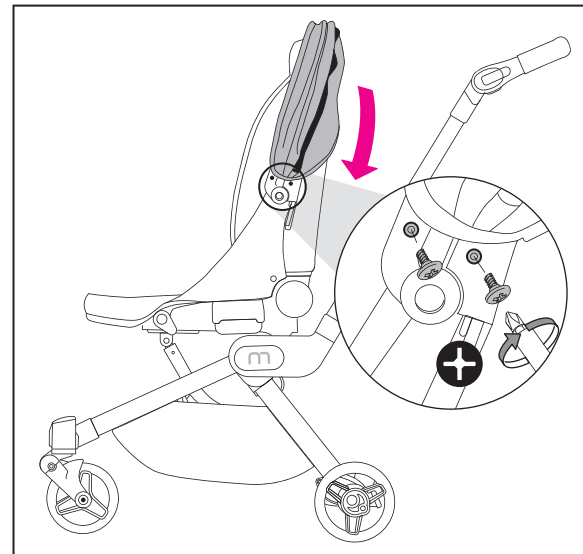
## ① USING YOUR STROLLER

### 07 Removing canopy

- To remove the canopy find the two small screws on each side, remove with + screwdriver. After screws are removed, pull canopy frame ends from slots, then slide the canopy off the two frame bars. To reinstall the canopy, note which bar is front and back, then slide the frame bars through the canopy slots. Place the frame bars back in the slide frame slots, then screw back in place.

## **!** WARNING

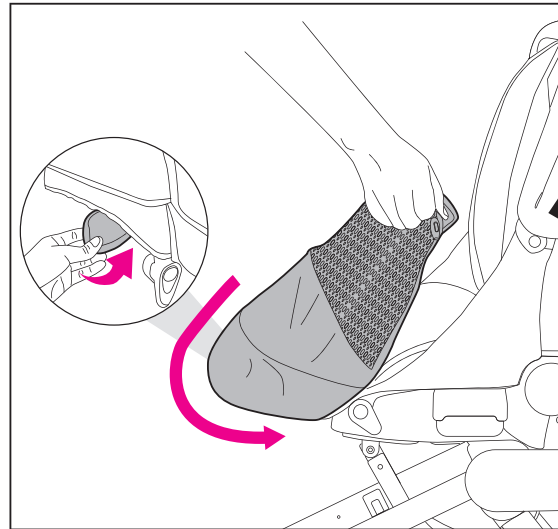
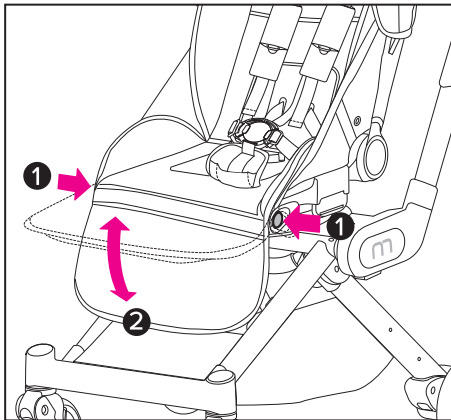
Choking hazard - Small parts not for child under 3 yrs.



## USING YOUR STROLLER

### 08 Using the leg rest

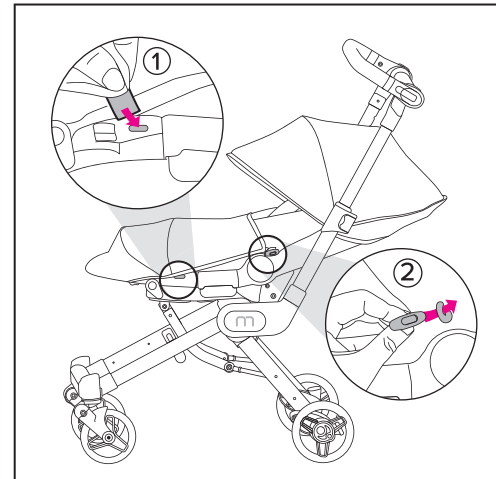
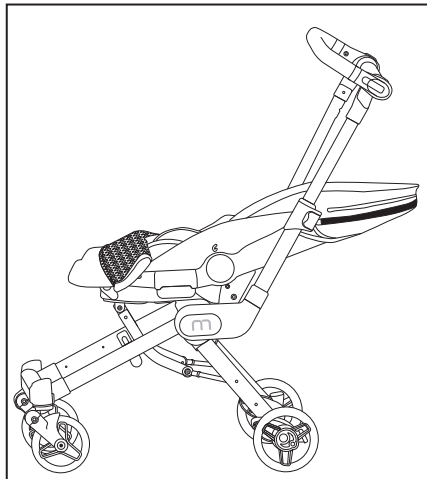
- To adjust, press both adjustment buttons while moving leg rest up or down until you hear a **CLICK**.
- Tucked into the underside of your leg rest is a footcover.



## USING YOUR STROLLER

### **09** Using the footcover (If available)

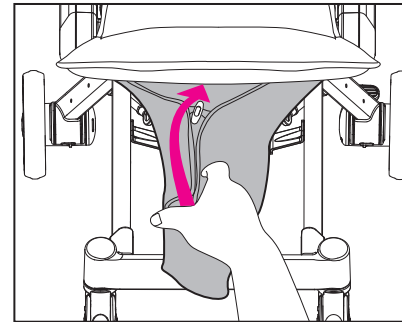
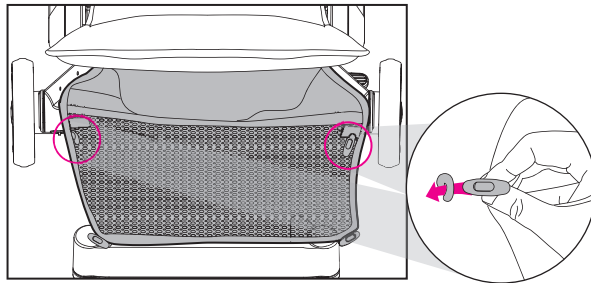
- To prepare your seat for the foot cover, fully recline backrest to the lowest position.
- To fasten the foot cover to stroller seat, push strap tab through slot in side of seat shell near feet.
- Weave the toggle on foot cover through loop on seat.



## USING YOUR STROLLER

### **09** Using the footcover (cont'd)

- To put the foot cover back, fold each side and secure with toggle closure.
- Once folded, tuck back into designated slot under leg rest.



 USING YOUR STROLLER

**10** Rotating and removing the M<sup>+</sup> stroller seat

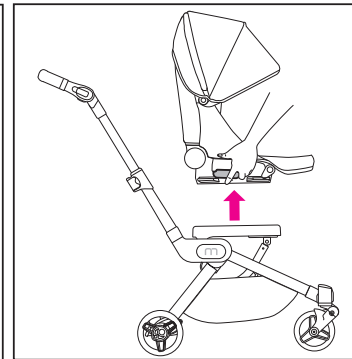
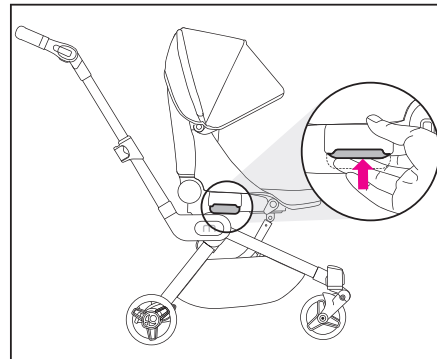
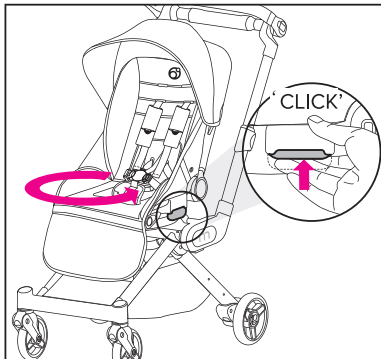
- To **rotate** the seat, press ONE seat lever and rotate (**DO NOT PRESS BOTH LEVERS WHEN ROTATING**)  
The seat will lock into place in two positions:  
forward-facing and parent-facing.
- To **remove** the seat from frame, press **BOTH** seat levers while lifting seat.

 **WARNING**

Fall Hazard: Simultaneously pressing both levers while rotating will cause the seat to detach from the stroller.

 **WARNING**

Fall Hazard: Never detach the stroller seat while a child is seated inside



## 2 USING YOUR STROLLER

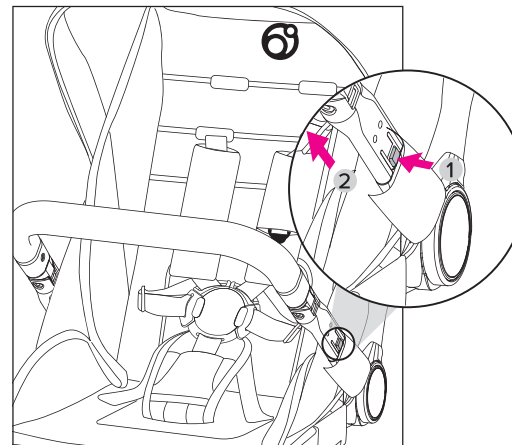
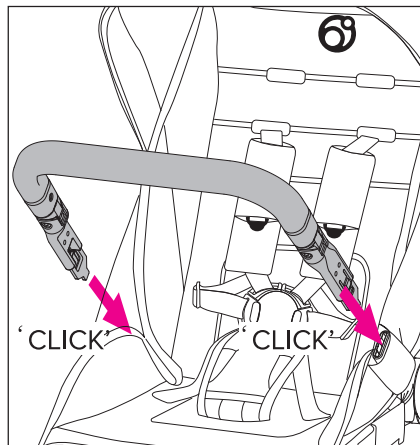
### 11 Using the bumper bar

- To remove bar, press release button on each side while pulling bar away from designated slots on stroller frame.
- To replace bar, slide each side of the bar into disunited slots on the stroller seat until you hear a **CLICK**.

Note: You can close and fold the stroller with bumper bar attached.

## **WARNING**

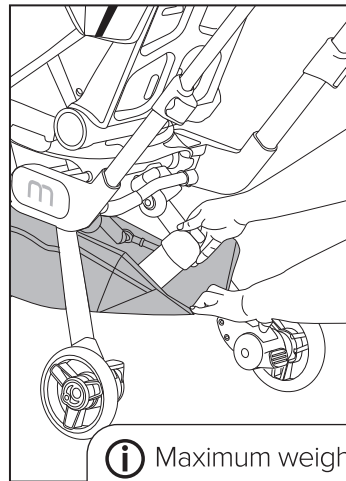
Attention: Please make sure that the bumper bar release button is facing outwards.



## ① USING YOUR STROLLER

### 12 Using your cargo basket

- To reach the main compartment of the basket, pull the back panel to expand.

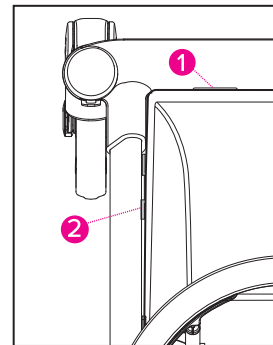


**i** Maximum weight in cargo basket is 5kg (11 lbs)

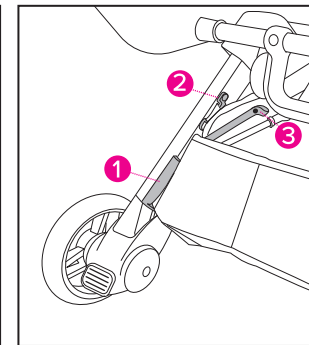
### 13 Removing and reinstalling the cargo basket

The cargo basket will ship already installed onto stroller frame

- First, locate where the cargo basket is attached to the stroller. You'll find two connection points on each side at the front and three on each side at the back.



front

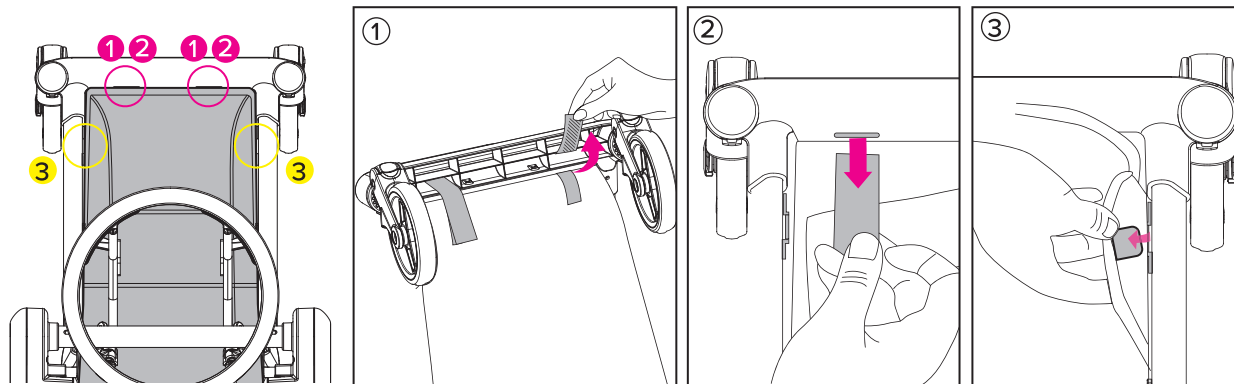


back

## ④ USING YOUR STROLLER

### 13 Removing the cargo basket

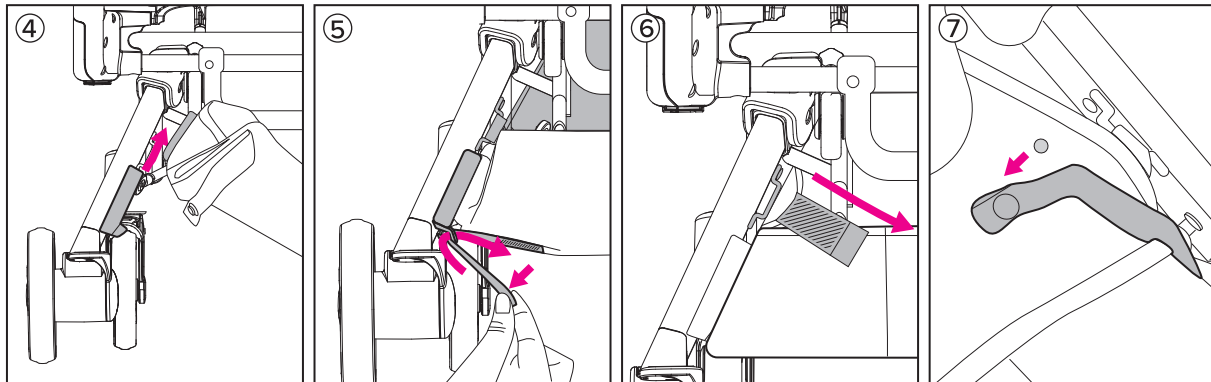
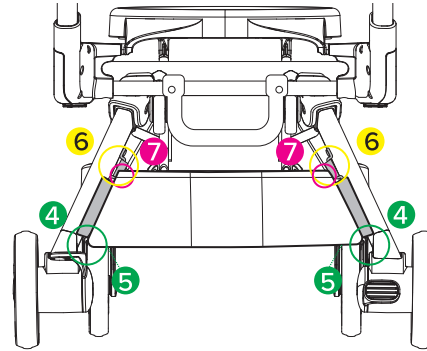
- To remove the basket, start by unfastening the Velcro at the front of the stroller and sliding it out of the designated slot. Next, pull the tabs out from their positions in the stroller frame. To remove back, continue to unfasten Velcro points on the side and bottom of basket. Next, unsnap the buttons and the end of the elastic straps. Lastly, slide the rod out of the track on each side of the stroller frame.



## ② USING YOUR STROLLER

### 13 Installing the cargo basket

- To re-install the cargo basket, reverse the actions taken to remove, starting with the front Velcro attachments.



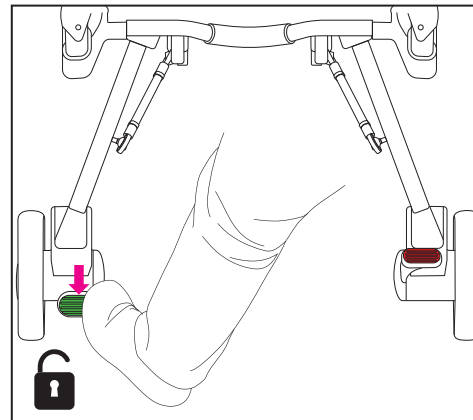
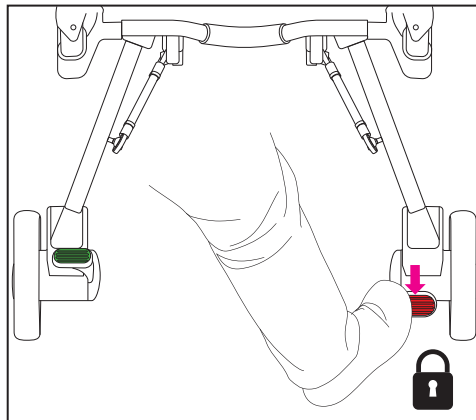
④ USING YOUR STROLLER

**14** Brakes and wheels

- To engage the brake, press down on the red pedal down until it clicks into place.
- To release brake, press down the green pedal down until it clicks into place.

**! WARNING**

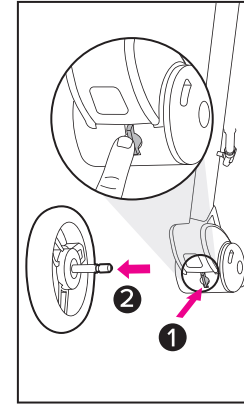
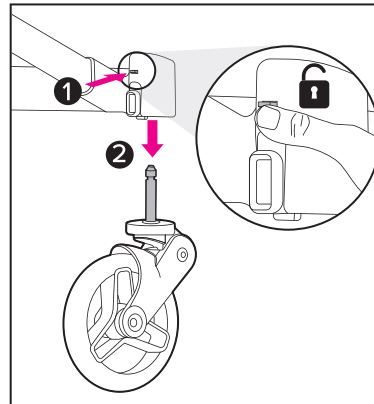
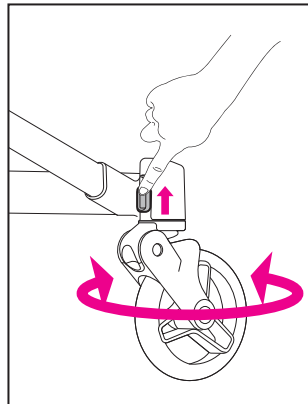
Always engage brakes when the stroller is stationary.



## ① USING YOUR STROLLER

### 14 Brakes and wheels

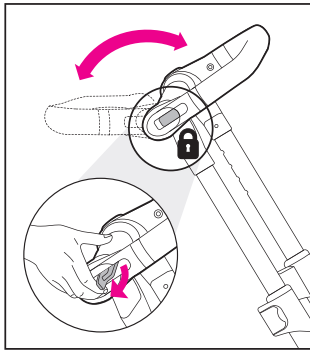
- Locking the front wheels may increase stability on bumpy surfaces, to lock front wheels press down on the grey latch then push the stroller forward for wheel to lock into place. To release, push the latch up.
- To remove the front wheels find and press the small metal tab while pulling the wheel down. Note: wheel lever lock must be in the 'unlocked' position.
- To remove the back wheels find and press the small metal tab while pulling the wheel away from the stroller frame.



## ② USING YOUR STROLLER

### 15 Handlebar

- To adjust the handlebar, open the levers on each side.
- Move handlebar to desired position, close levers to lock into position.

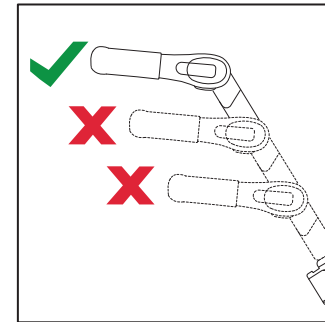
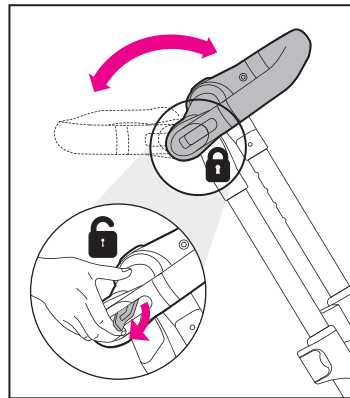


### **! WARNING**

Keep your hands or fingers clear of moving parts when adjusting the handlebar angle.

### 16 Handlebar when folding the stroller

- Unlock levers, then adjust the handlebar forward until it stops, then close levers to lock.
- Handlebar must be fully extended to fold stroller frame.



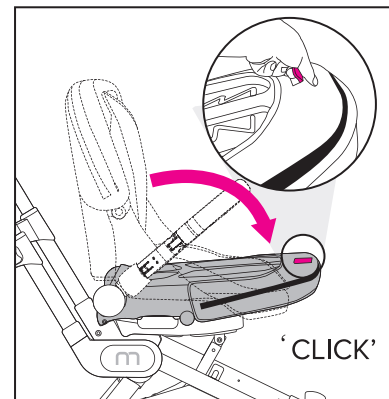
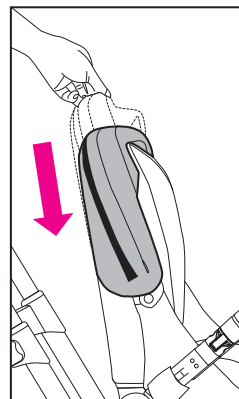
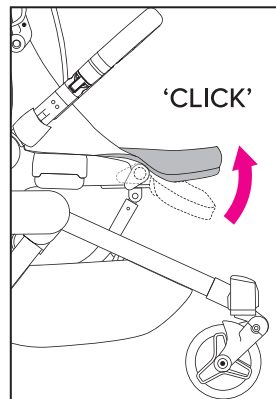
## 2 USING YOUR STROLLER

### 17 Folding the stroller

- The stroller frame can fold with the M<sup>+</sup> stroller seat attached. To fold with seat, move leg rest up into a horizontal position, push the canopy down on each side, pull lever to fold seat.

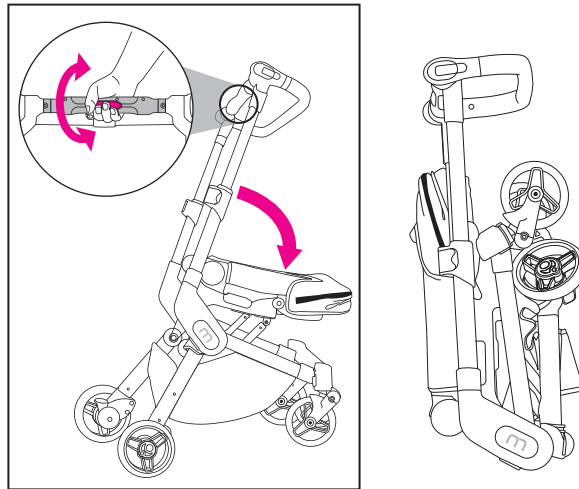
## **WARNING**

To avoid any damage, leg rest must be in horizontal position.



### 17 Folding the stroller (cont'd)

- With handlebar locked into forward facing position and seat folded, press and twist the stroller frame release bar while pushing forward-the frame will nest into itself and self-stand.



## **!** WARNING

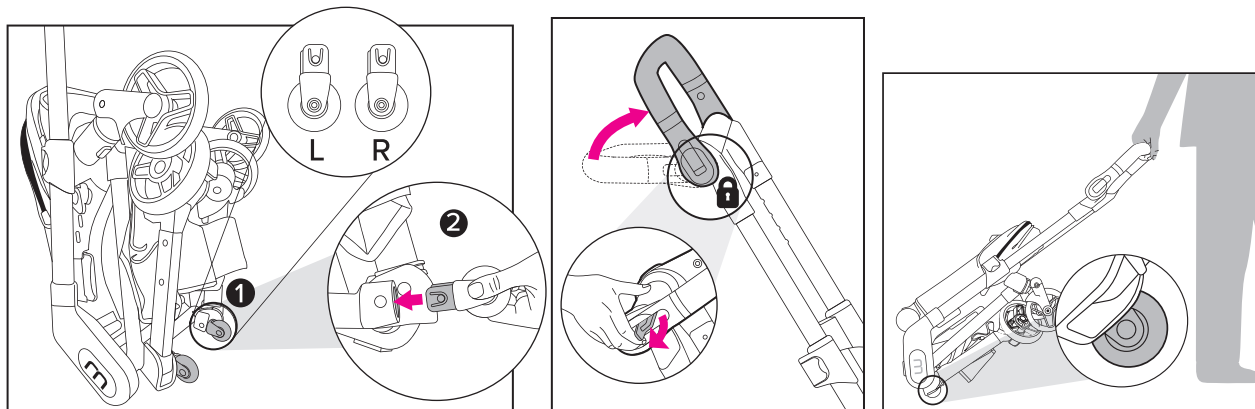
Exercise caution when folding the stroller to prevent hands or limbs from being caught in the frame. Ensure the locking latch is fully engaged to prevent inadvertent extension of the frame. Child must be removed from the stroller prior to initiating any folding procedure. Keep children at a safe distance from the stroller during the folding process. Always use the designated handles, and avoid placing fingers near the folding mechanisms to minimize the risk of injury.

## ✕ TRAVELING & STORAGE

### 18 Travel / luggage mode

- Once folded and with the frame extended, the stroller can be easily rolled using the small luggage wheels.  
To install the luggage wheels, place wheels into designated slot.  
**Note:** thumb tabs should face center of the stroller.

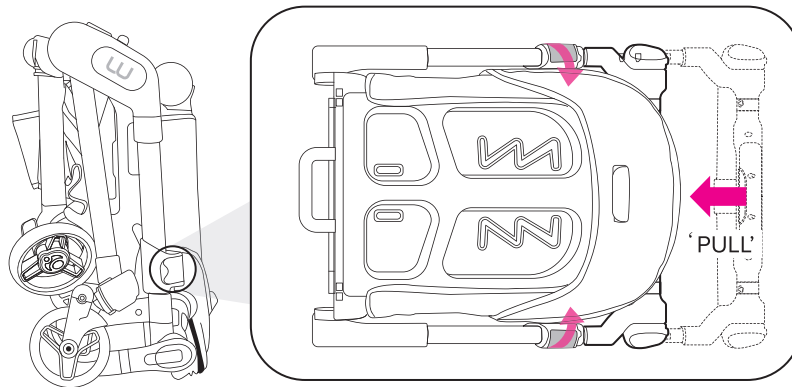
- Adjust and lock handlebar into fully extended position then stroller is ready to roll.



## 18 Travel / luggage mode (cont'd)

- The M<sup>+</sup> stroller when folded, with or without the M<sup>+</sup> seat attached, meets the IATA's (International Air Transportation Association) recommendation for cabin sized luggage when all wheels are removed.

To create a more compact size, open the top handle locks and slide the frame down, then lock into position.



## MAINTENANCE & CLEANING

### Cleaning Instructions

#### **WARNING**

Avoid excessive exposure to sun or heat, which may cause fading or warping.

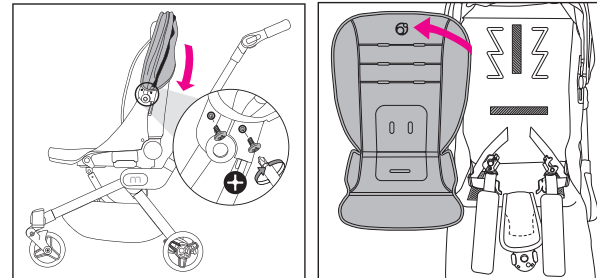
Keep the SmartHub, twist grip and handlebar mechanisms free of abrasive grime and moisture. If wet, use a soft cloth to dry. All hard goods (plastic and metal) may be wiped clean with a damp cloth. Never use bleach or detergents. Do not submerge or use running water on any metal or plastic parts of the stroller. Clean all soft goods according with the instruction on the washing label, all parts with a washing label as sewn on it.

### Maintenance Instructions

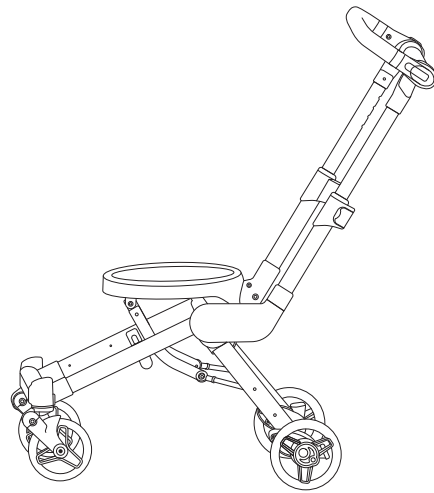
For the front wheel & the rear wheels, remove them using the wheel quick release button, change the tire and then reinstall. Pull outward on the wheels to ensure they are securely attached to the stroller.

### 19 Disassemble for washing

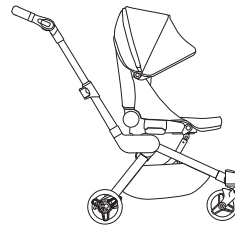
- Remove the two screws to remove the canopy.
- Release the buckle then remove the liner pad.
- Remove the seat cover from the seat frame by release the bottom loops.



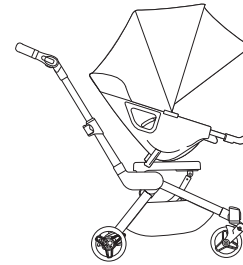
## M<sup>+</sup> STROLLER FRAME COMPATIBILITY



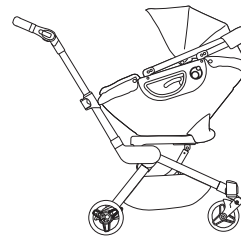
M<sup>+</sup> Stroller Frame



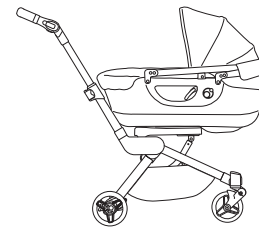
M<sup>+</sup> Stroller Frame with  
M Stroller Seat



M<sup>+</sup> Stroller Frame  
with G5 Stroller Seat



M<sup>+</sup> Stroller Frame  
with G5 and G5<sup>+</sup>  
Infant Car Seat



M<sup>+</sup> Stroller Frame  
with G5 Bassinet





[www.orbitbaby.com](http://www.orbitbaby.com)

ORBIT BABY® and related logo, PAPARAZZI SHIELD® and SMARTHUB® are registered trademarks of Orbit Baby Limited. in the United States and certain other jurisdictions.

ORB751009US\_R1\_2025SEP  
©2025 Orbit Baby, Inc. All rights reserved.

